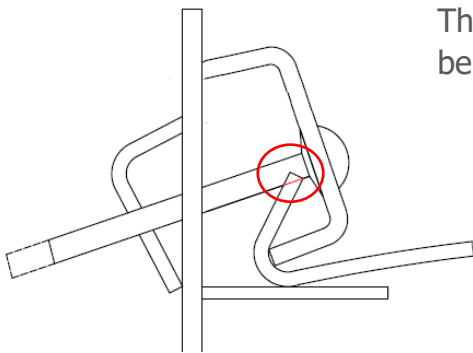




Side Hooks

Screen cloth installation problems are inconvenient, frustrating and time consuming. Some producers are experiencing problems fitting side clamp bars to their screen cloths and must cut notches out of the hook so the side clamp bar bolts don't foul on the top edge of the side hook and can pass freely through to the side plates.

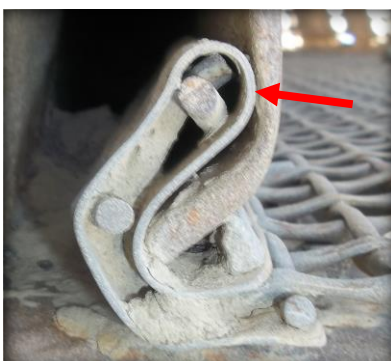
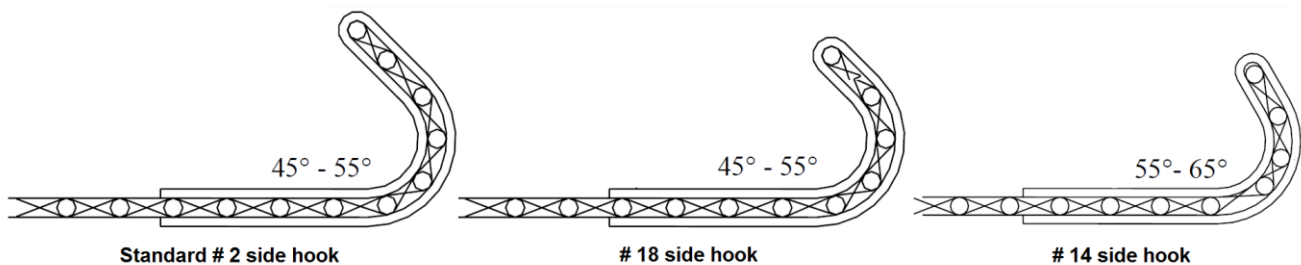


The reasons why the clamp bar bolts interfere with the hooks can be many. Some obvious reasons include:-

- wrong side clamp bar
- bolt hole in clamp bar incorrectly positioned
- side clamp bar fitted upside down
- the wrong capping rubber raising the height of the screen cloth
- incorrect type or poorly formed side hooks.

Whilst it is important to determine the exact reason why the clamp bar bolts are interfering with the side hook the good news is there may be a very simple inexpensive solution to the problem.

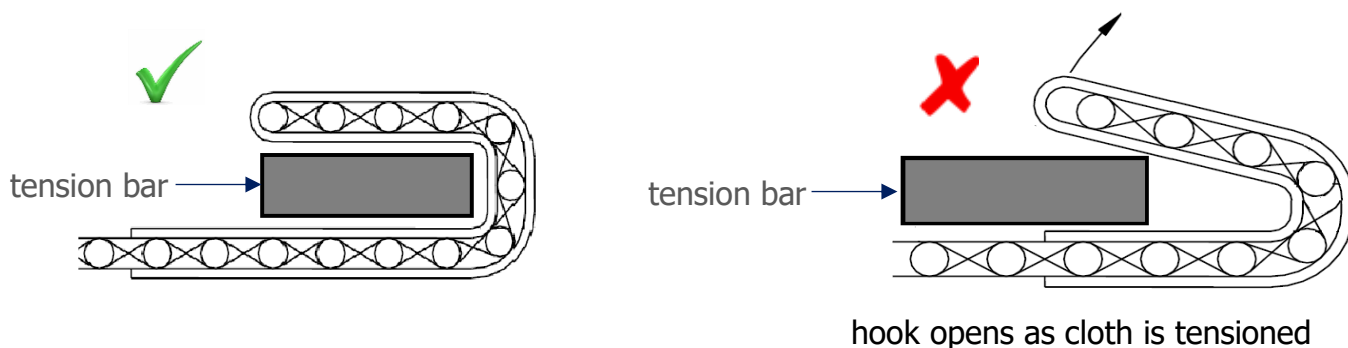
The sketches below show a cross section of side hooks for cross tensioned screen cloths. The Nepean Rubber #2 hook, also known as V hook or standard hook is the most common hook used for the majority of cross tensioned screens. The #14 & #18 hooks are less common alternatives



When there is a problem with the clamp bar bolts hitting the top edge of the side hook or where the clamp bar doesn't fit the hook properly our smaller #18 or #14 hooks may be an easy problem solving solution saving on the cost and expense to replace side clamping bars.

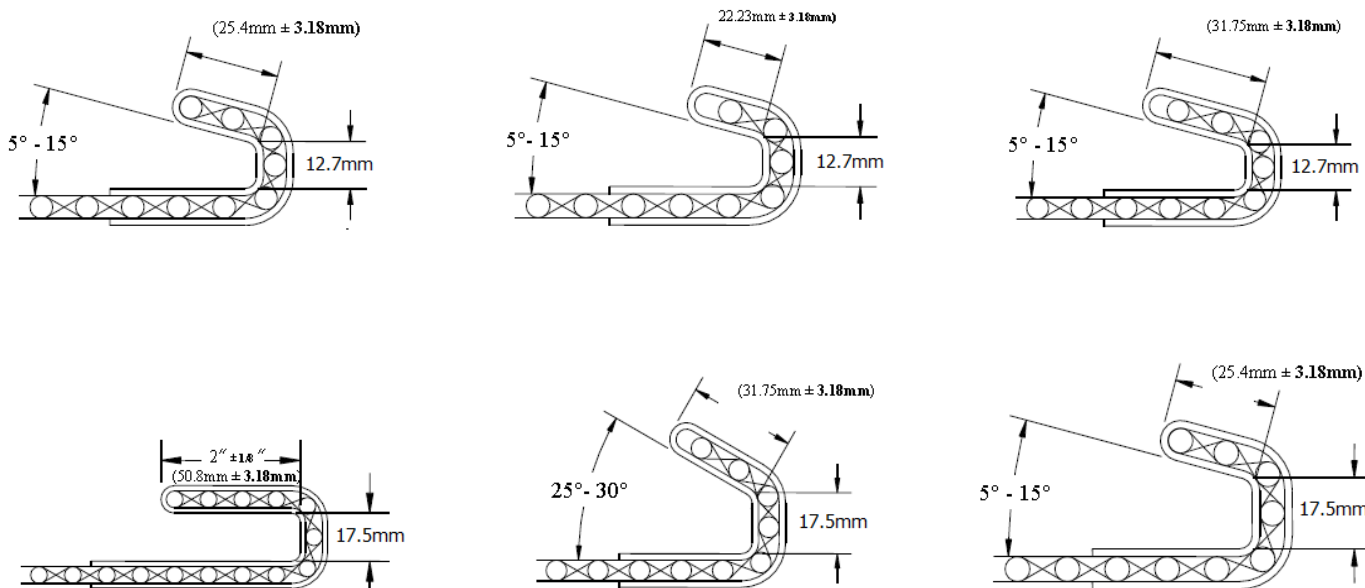
End tensioned screen cloths with 180° hooks can be very problematic if the hooks aren't formed correctly. Many end tensioned screens use a 16mm thick tension bar for screen cloth tensioning. It is extremely important for the hook to be formed so the tension bar seats firmly in the base of the hook.

If the hook is formed incorrectly with the base of the hook being too narrow the hook can open out as the tension bar beds in, tension will be lost and screen cloth wear life will be reduced. Cloth removal can also be quite difficult when the tension bar opens the hook out.



With our modern ISO 9001 accredited state of the art hooking facility Nepean Rubber have the ability to form 20 different side and end tensioned hook types for all makes and models of screening machine.

Our strict manufacturing tolerances ensure you get the right side hooks formed to the same precise specifications each and every time you order your **OptimumWire®** screen cloths.



For more information on our full range of side hooks contact your Nepean Rubber representative.