



## Poly Ball Chain

Lost production and downtime for cleaning blinded screens can severely hamper the bottom line and production rates.

*Fortunately there is a simple, effective and affordable solution to solve this common and troublesome problem.*



Nepean Rubber's innovative **Poly Ball Chain** has proved to be effective in reducing build-up in a wide variety applications. The gentle impact from the 50mm Ø polyurethane balls striking the screen surface is often enough to clear fines from blinded apertures.

**Poly Ball Chains** are suitable for use with woven mesh, self-cleaning wire and synthetic screen cloths

# Self-Cleaning Wear Liners



Plugged chute before Self-Cleaning liner



Clear chute after Self-Cleaning liner

Key to the effectiveness and durability of the Nepean Self Cleaning Liner System is the unique custom moulded rubber compound. A proprietary high slip additive is blended through the rubber providing a low friction surface that prevents sticky fines clinging to the liner surface.

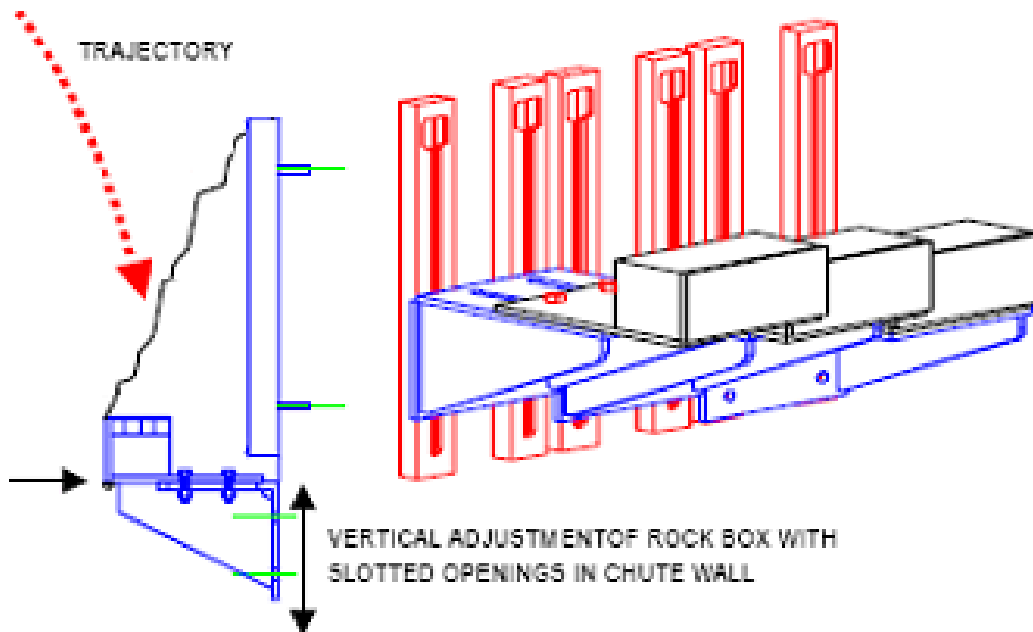
Self-cleaning and shedding is further enhanced by inflating the rubber liners with low pressure compressed air. As the liner expands and contracts throughout the inflation cycle the bond between the sticky fines and liner surface is broken, releasing any built up material.



Nepean Rubber Self Cleaning Liners are custom designed for each applications specific requirements and budgets, ranging from basic low cost manually inflated single liners to complex fully automated computer operated systems with multiple liners and inflation sequences.

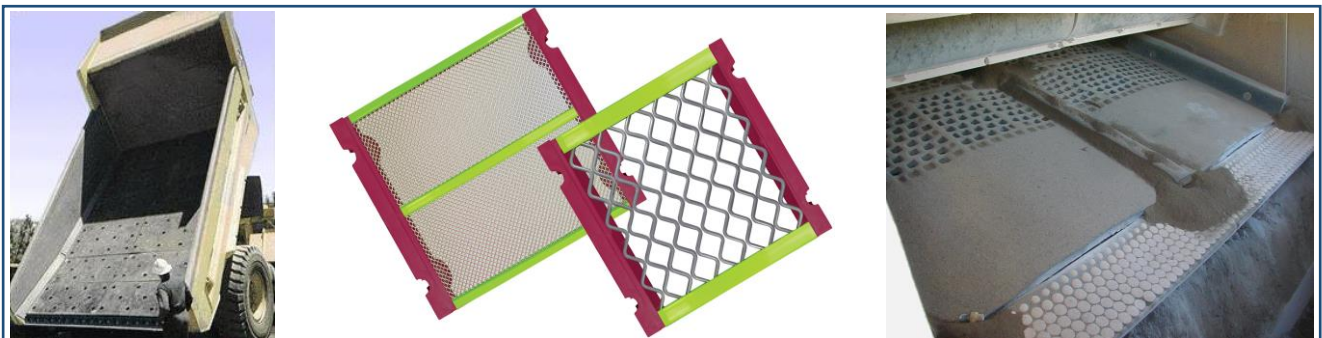
Liners are supplied in sizes and shapes with mounting points to suit your chutes, not just an off-the-shelf item that you have to work around.

# Self-Cleaning Wear Liner with Adjustable Rock Box



**Nepean Rubber Self-cleaning Wear Liners are just one amongst a suit of innovative wear resistant lining materials including:-**

- Steel backed, T-track & clip-on rubber liners
- Rubber Ceramic composites custom moulded with a variety of ceramic inserts
- Chromium Carbide Clad Plate
- High carbon steel plate



Contact your Nepean Rubber representative for an obligation free appraisal of your blockage and wear problem.