

HD Conveyor Skirt Liners



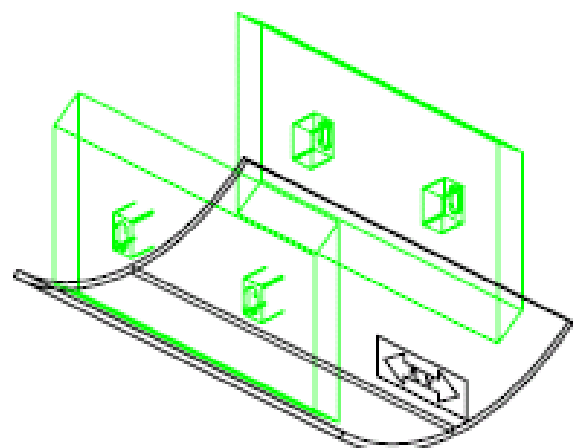
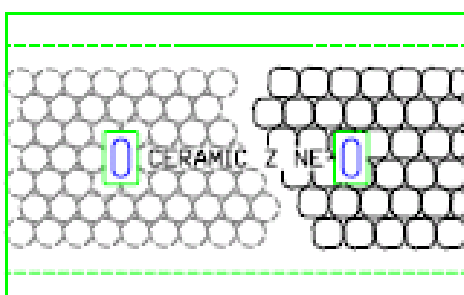
Composite liners have been used in conveyor skirting applications with a great deal of success.

The composite internal skirt boards are used in the loading zone or where there is high impact or tumbling of material. The chamfered rubber base of the liner maintains a seal against the belt.

All other areas of less wear can use our adjustable heavy duty moulded rubber liners.

Internal Skirt Board Liner design

To achieve the full life potential the composite & rubber liners can be double sided, so when one side has worn they can be rotated 180°, effectively doubling their service life. Wear life can be further extended by slotted mounting holes. The liners can be easily adjusted in-situ as they wear.



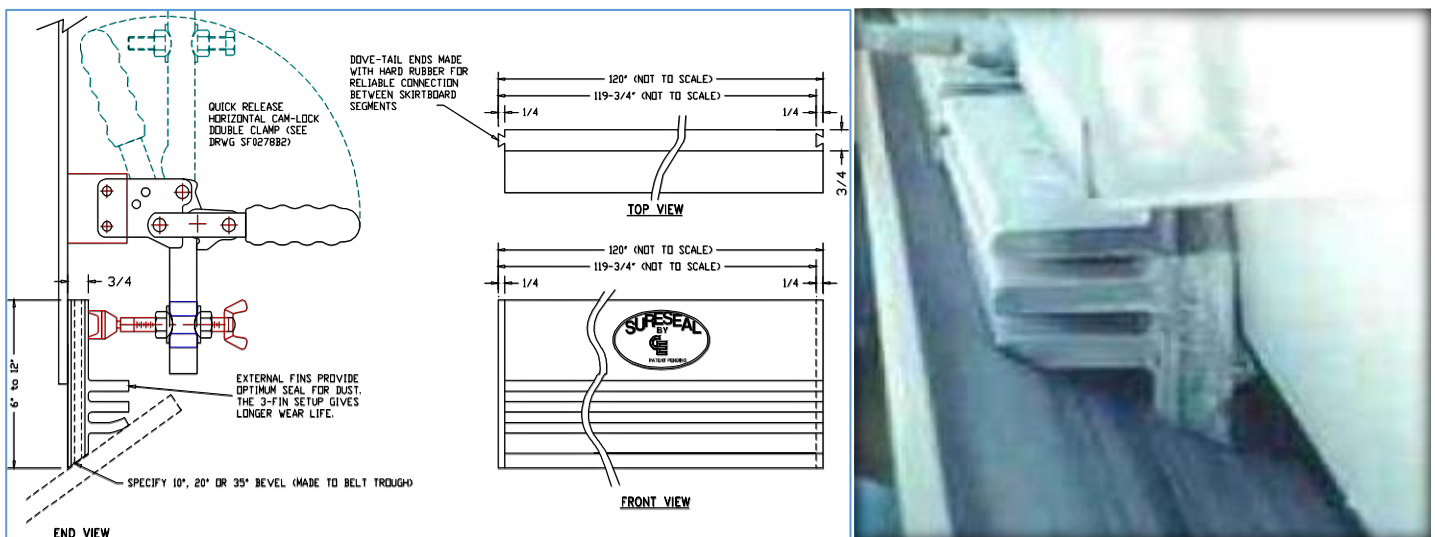
Nepean Rubber's ceramic/rubber composite skirt board liners have the advantage of allowing a belt gap down to around 6mm, offering maximum sealing without risk of damage to the belt.

External Skirt Sealing

Most external conveyor skirting is made from fairly inexpensive low grade rubber. It generally does a reasonable job at sealing however wear life is usually quite poor.

To ensure the best possible seal and achieve maximum wear life a high quality multiple seal skirting rubber should be used. The **Sureseal** pictured below is a moulded skirting rubber manufactured from high grade abrasion resistant rubber similar to that used in mill liners and heavy duty wear liners.

Quick Adjust Mounting System



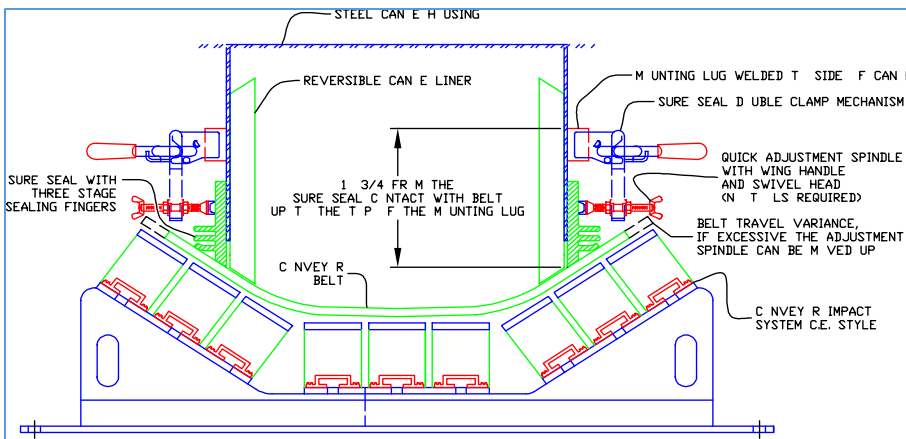
A quick adjust cantilever Clamp-Mount skirting clamps help eliminate spillage and dust in the conveyor transfer point. The Clamp-Mount installs easily and allows for one person to replace or reposition skirt rubber.



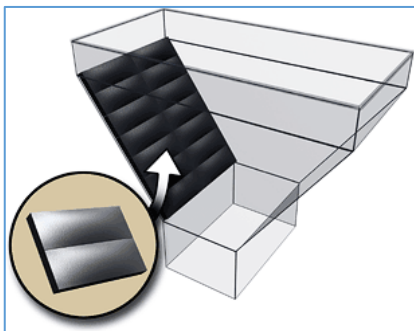
Easy to Adjust Easy to Install

One skilled workman and a helper can quickly install the clamp assemblies and various sealing compounds depending on the application. One worker merely releases the clamp, raises or lowers the sealing compound as needed, then closes the clamp. No tools are required and the belt can be either empty or loaded during adjustment. Because operating standards call for belt shut-down during adjustment, the quick-and-easy system minimizes down time. The sealing compound can be rapidly released to install a new belt.

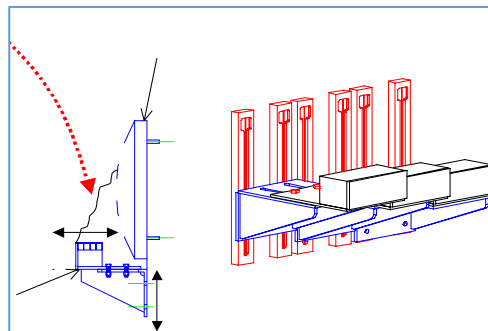
Complete Internal & External Sealing System



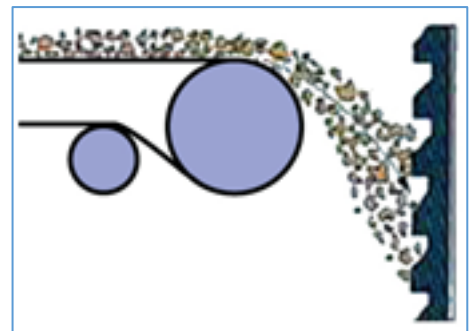
Other Associated Wear products



Self-Cleaning Chute Liners



Adjustable Rock Box



Rubber Wear Liners